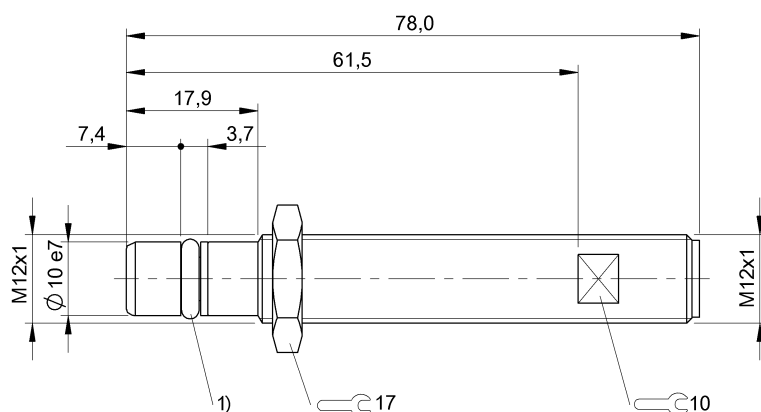


Inductive Sensors

BES 516-300-S135-NEX-S4-D

Order Code: BHS001K

BALLUFF



1) O-Ring with thrust ring



Basic features

Approval/Conformity	CE
	UKCA
	ATEX
	WEEE
Basic standard	EN 60079-0:2006
	EN 60079-15:2005
	IEC 60947-5-2
Ex marking	ATEX: EX II 3G Ex nA II T4 Ta: -25 °C ≤ Ta ≤ 80 °C

Display/Operation

Function indicator	no
Power indicator	no

Electrical connection

Connection	M12x1-Male, 4-pin, A-coded
Polarity reversal protected	yes
Protection against device mix-ups	yes
Short-circuit protection	yes

Electrical data

Load capacitance max. at Ue	0.5 μF
Min. operating current Im	0 mA
No-load current Io max., damped	10 mA
No-load current Io max., undamped	1 mA
Operating voltage Ub	10...30 VDC
Output resistance Ra	33.0 kOhm + D
Rated insulation voltage Ui	75 V DC
Rated operating current Ie	200 mA
Rated operating voltage Ue DC	24 V
Rated short circuit current	100 A
Ready delay tv max.	10 ms
Residual current Ir max.	10 μA
Ripple max. (% of Ue)	15 %
Switching frequency	1000 Hz
Utilization category	DC -13
Voltage drop static max.	1.5 V

Environmental conditions

Ambient temperature	-25...80 °C
Contamination scale	3
EN 60068-2-27, Shock	Half-sinus, 30 gn, 11 ms
EN 60068-2-6, Vibration	55 Hz, amplitude 1 mm, 3x30 min
IP rating	IP68

Functional safety

MTTF (40 °C)	720 a
--------------	-------

Interface

Switching output PNP normally open (NO)

Material

Housing material Stainless steel
 Material sensing surface EP
 Support ring material PTFE

Range/Distance

Assured operating distance Sa 1.2 mm
 Hysteresis H max. (% of Sr) 15.0 %
 Rated operating distance Sn 1.5 mm
 Real switching distance sr 1.5 mm
 Repeat accuracy max. (% of Sr) 5.0 %
 Temperature drift max. (% of Sr) 10 %
 Tolerance Sr ± 10 %

Mechanical data

Dimension $\varnothing 12 \times 78$ mm
 Installation for flush mounting
 Mounting length 43.50 mm
 Mounting part M12x1
 Pressure rating max. 500 bar
 Pressure rating, note oil pressure rated
 Sealing ring, size 5.85 \times 2.4 mm
 Size M12x1
 Tightening torque 15 Nm ± 10 %

Remarks

ATTENTION: The connection must be made only following the currently prevailing norms - EN 60079-0/-14/-15 for II 3 G Ex nA conformal M12-connection. The operating guide document number 863218 must be observed.

For more information about MTTf and B10d see MTTf / B10d Certificate

Indication of the MTTf- / B10d value does not represent a binding composition and/or life expectancy assurance; these are simply experiential values with no warranty implications. These declared values also do not extend the expiration period for defect claims or affect it in any way.

Connector Drawings



Wiring Diagrams

