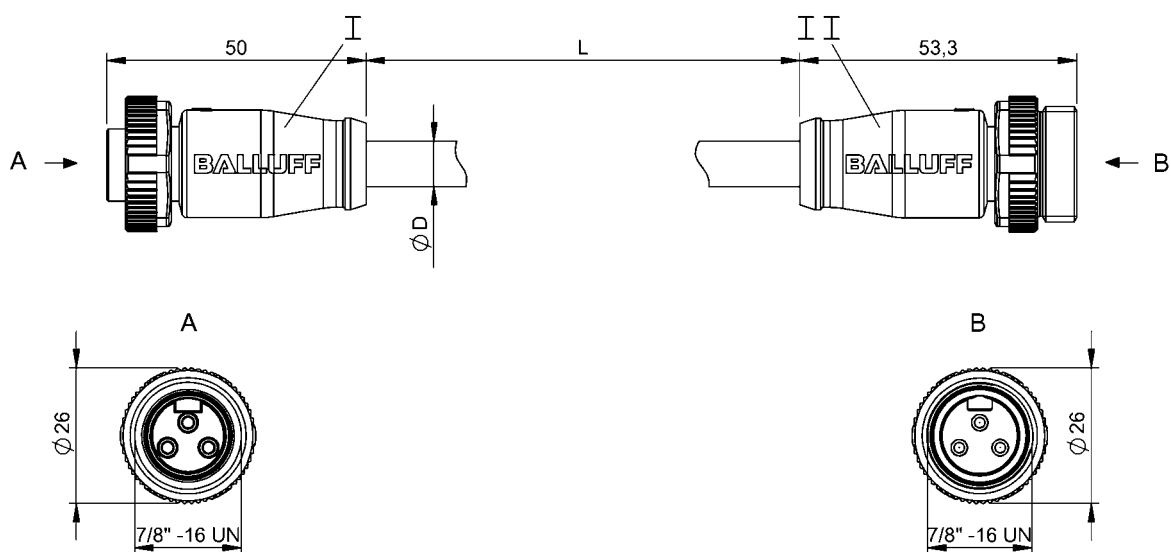


Double-Ended Cordsets  
BCC A313-A313-30-345-VX43W6-150  
Order Code: BCC099Z

**BALLUFF**



### Basic features

Approval/Conformity	CE cULus WEEE
---------------------	---------------------

### Electrical connection

Cable	PVC Yellow, 15 m
Cable diameter D	10.24 mm ±0.20 mm
Conductor cross-section	16 AWG
Connection 1	7/8"-Female, straight, 3-pin
Connection 2	7/8"-Male, straight, 3-pin
Number of conductors	3
System	Molded/Molded

### Electrical data

Cable rated voltage AC max.	600 V
Cable rated voltage DC max.	600 V
Operating voltage $U_b$	300 VDC / 300 VAC
Rated current (40 °C)	13.0 A

### Remarks

Bulk cable: PVC UL listing, 16/3 ST00W/ST00W CSA FT2 105°C 600 V  
Enclosure rating per IEC 60529, only in screwed state with the associated mating piece.

### Environmental conditions

Cable temperature, fixed routing	-40...105 °C
IP rating	IP67, IP68/IP67, IP68

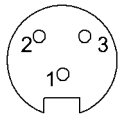
### Material

Cable jacket, material	PVC
Material contact carrier	PUR/PUR
Material contacts	Brass/Brass
Material cover nut	Die-cast zinc/Die-cast zinc
Material grip	PUR/PUR

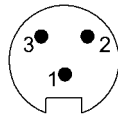
### Mechanical data

Cable jacket, color	Yellow
Cable length L	15.00 m
Tightening torque pigtail	1.5 Nm/1.5 Nm

Connector Drawings



I



II

Wiring Diagrams

