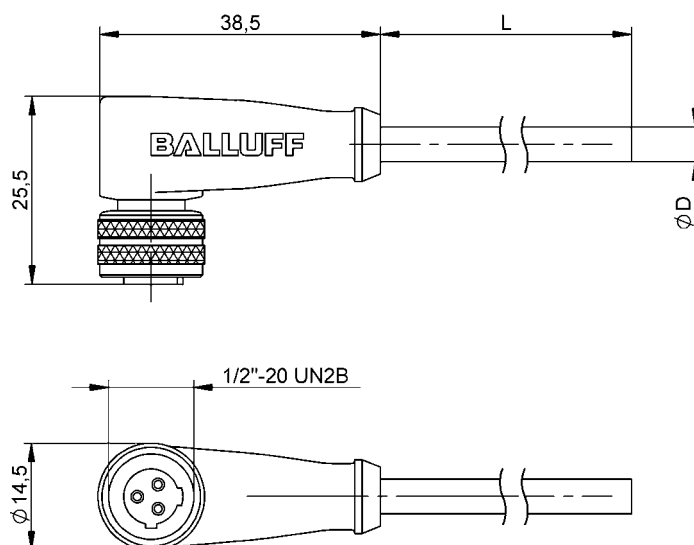


Single-Ended Cordsets
BCC A223-0000-1C-123-EX43T2-050
Order Code: BCC0H7E

BALLUFF



Basic features

Approval/Conformity	CE cULus WEEE
---------------------	---------------------

Electrical connection

Bending radius min., fixed cable	5 x D
Bending radius min., flexible cable	10 x D
Cable	TPE Yellow, 5 m, drag chain compatible
Cable diameter D	5.30 mm ±0.13 mm
Cable, bending cycles min.	10 mil.
Conductor cross-section	22 AWG
Connection	1/2"-Female, angled, 3-pin
Connector configuration	right-angle
Number of conductors	3
Number of pins	3
System	Molded

Electrical data

Cable rated voltage AC max.	300 V
Cable rated voltage DC max.	300 V
Operating voltage U_b	250 VDC / 250 VAC
Rated current (40 °C)	4.0 A

Environmental conditions

Cable temperature, fixed routing	-50...105 °C
Cable temperature, flexible routing	-25...105 °C
IP rating	IP67

Material

Cable jacket, material	TPE
Material contact carrier	PUR
Material contacts	Brass
Material cover nut	Die-cast zinc
Material grip	PUR

Mechanical data

Cable jacket, color	Yellow
Cable length L	5.00 m
Cable properties	drag chain compatible

Remarks

Cable construction acc. to UL-AWM Style 20327
Flame resistance acc. to IEC 332-2
Enclosure rating per IEC 60529, only in screwed state with the associated mating piece.

Connector Drawings



PIN 1: green/yellow
PIN 2: red/black
PIN 3: red/white

Wiring Diagrams

1 _____

2 _____

3 _____