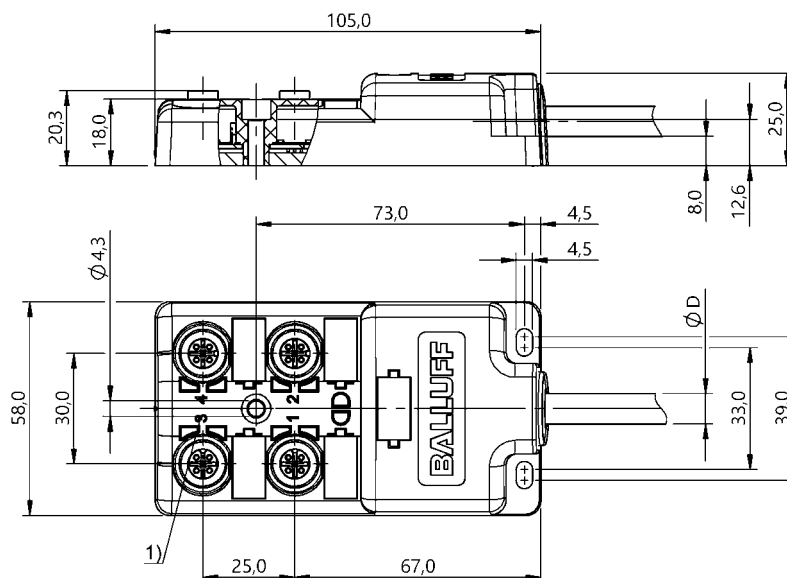


Junction blocks

BPI 4M4A40-2K-B0-KPX70-030

Order Code: BPI00J6

**BALLUFF**



1) Slot numbering



### Basic features

Approval/Conformity	CE UKCA cULus WEEE
Scope of delivery	Part labels (24x) Cover cap (2x)

### Electrical connection

Bending radius min., fixed cable	7.5 x D
Bending radius min., flexible cable	15 x D
Cable	PUR black, 3 m, drag chain compatible
Cable diameter D	7.45 mm ±0.2 mm
Cable, bending cycles min.	2 mil.
Conductor cross-section	0.34 mm <sup>2</sup> + 1.0 mm <sup>2</sup>
Connection slots	4x M12x1-Female, 4-pin
Number of conductors	7

### Electrical data

Isolation resistance	≥ 10 GOhm
Operating voltage Ub	10...60 VDC/10...60 VAC
Output current max.	4 A
Rated operating voltage Ue DC	24 V
Total current max.	8 A

### Environmental conditions

Cable temperature, fixed routing	-40...80 °C
Cable temperature, flexible routing	-20...80 °C
IP rating	IP67, when threaded in

### Material

Cable jacket, material	PUR
Housing material	PBT, GF
Material contact carrier	PBT
Material contacts	Bronze (CuSn6), nickel layer

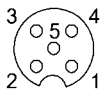
### Mechanical data

Acceleration max., drag chain	10 m/s <sup>2</sup>
Cable jacket, color	black
Cable length L	3.00 m
Cable properties	drag chain compatible
Casting	yes
Dimension	105 x 58 x 25 mm
Horizontal travel permitted, drag chain	10 m at 10 m/s <sup>2</sup>
Mounting part	M4 (3x)
Tightening torque	1.2 Nm ±0.2 (M4)
Tightening torque pigtail	0.6 Nm + 0.1 Nm (M12 connector)
Traverse speed max., drag chain	3 m/s

Remarks

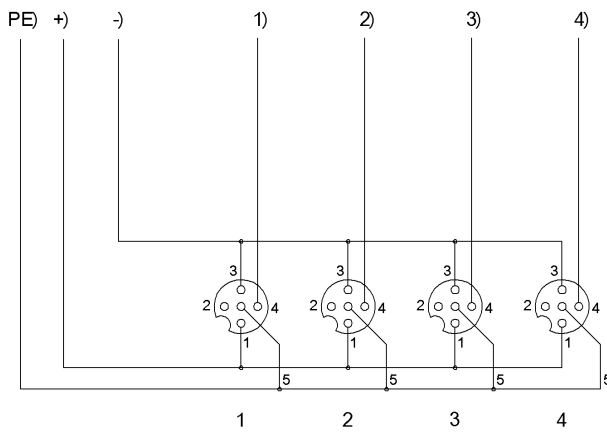
Cable construction acc. to UL-AWM Style 20549/10493  
Flame resistance per IEC 60332-1-2  
Flame resistance per UL 758/1581 FT2  
Halogen-free per DIN VDE 0472 Part 815  
Halogen-free acc. to IEC 60754-1  
Oil resistant per DIN EN 60811-404 (VDE 0473-811-404)  
Enclosure rating per IEC 60529, only in screwed state with the associated mating piece.

Connector Drawings



PIN 1: +24V  
PIN 3: 0V  
PIN 4: signal  
PIN 5: PE

Wiring Diagrams



-) blue 1.00 mm<sup>2</sup>  
+) brown 1.00 mm<sup>2</sup>  
1) white  
2) green  
3) yellow  
4) gray  
PE) green/yellow 1.00 mm<sup>2</sup>