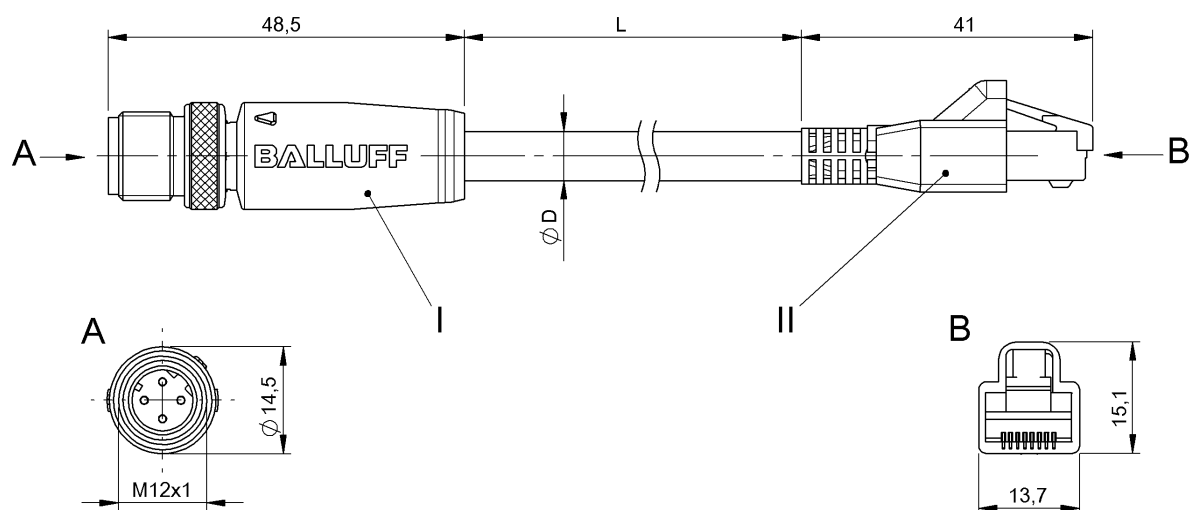


Double-Ended Cordsets
BCC M414-E894-8G-672-ES34N9-150
Order Code: BCC0K4L

BALLUFF



Basic features

Application	Ethernet
Approval/Conformity	CE cULus WEEE

Electrical connection

Bending radius min., flexible cable	10 x D
Cable	TPE Shielded Orange, 15 m, drag chain compatible
Cable diameter D	6.70 mm ±0.25 mm
Cable, bending cycles min.	10 mil.
Cable, note	Ethernet, CAT 5E
Conductor cross-section	24 AWG
Connection 1	M12x1-Male, straight, 4-pin, D-coded
Connection 2	RJ45-Male, straight, 4-pin
Number of conductors	4
System	Molded/assembled

Electrical data

Cable rated voltage AC max.	600 V
Cable rated voltage DC max.	600 V
Conductor construction	2x2 twisted-pair
Conductor resistance	≤ 26.0 Ohm/1000 ft
Coupling resistance max.	100 Ohm ±15 Ohm
Operating capacitance	13.5 pF/ft
Operating voltage Ub	42 VDC / 30 VAC
Rated current (40 °C)	1.0 A
Transfer rate	10/100 Mbit/s

Environmental conditions

Cable temperature, flexible routing	-40...80 °C
IP rating	IP67/IP20

Material

Cable jacket material, note	Shielded
Cable jacket, material	TPE
Cable shield	Aluminum foil and copper braid
Material contact carrier	PUR/PBT
Material contacts	Brass/Phosphor bronze, gold plated
Material cover nut	Brass nickel-plated
Material grip	PUR/PVC

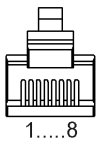
Mechanical data

Cable jacket, color	Orange
Cable length L	15.00 m
Cable properties	drag chain compatible
Tightening torque pigtail	0.6 Nm/-

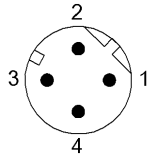
Remarks

Cable construction acc. to UL CMX Outdoor or AWM Style 2463
 Enclosure rating per IEC 60529 or ISO 20653, only in screwed state with the associated mating piece.

Connector Drawings

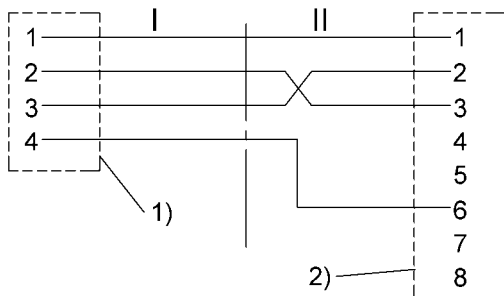


II
 PIN 1: white/orange
 PIN 2: orange
 PIN 3: white/green
 PIN 4: not used
 PIN 5: not used
 PIN 6: green
 PIN 7: not used
 PIN 8: not used



I
 PIN 1: white/orange
 PIN 2: white/green
 PIN 3: orange
 PIN 4: green

Wiring Diagrams



1) Shield on cover nut
 2) Shield on housing