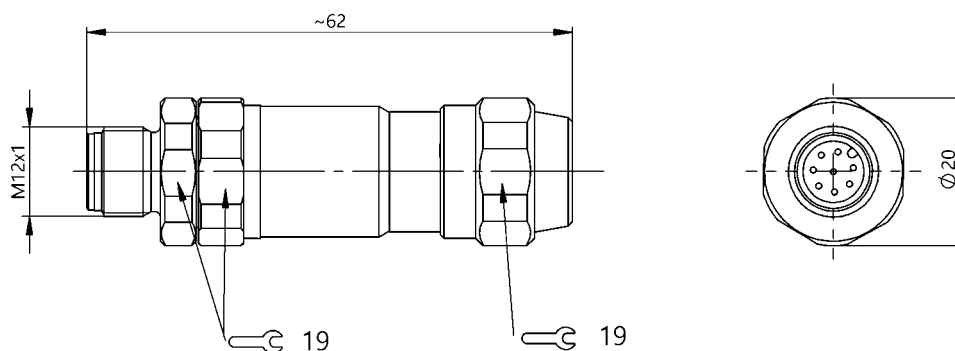


Field-Attachable Connectors  
**BCC S478-0000-2A-000-E1X850-000**  
 Order Code: BCC0KRT

**BALLUFF**



### Basic features

Approval/Conformity WEEE

### Electrical connection

Cable diameter D 5.5...8.6 mm  
 Connection M12x1-Male, straight, 8-pin, A-coded  
 Number of connectable contacts 8  
 System Can be fabricated

### Electrical data

Operating voltage  $U_b$  30 VDC / 30 VAC  
 Rated current (40 °C) 1.5 A

### Environmental conditions

Ambient temperature -40...85 °C  
 IP rating IP67

### Material

Material contact carrier PA  
 Material contacts Messing, gold plated  
 Material cover nut 1.4404 stainless steel  
 Material grip Die-cast zinc

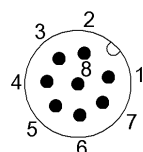
### Mechanical data

Connection cross-section 0.50 mm<sup>2</sup>  
 Type of wire mounting Screw terminals

### Remarks

Enclosure rating per IEC 60529, only in screwed state with the associated mating piece.

### Connector Drawings



PIN 1-8 usable