



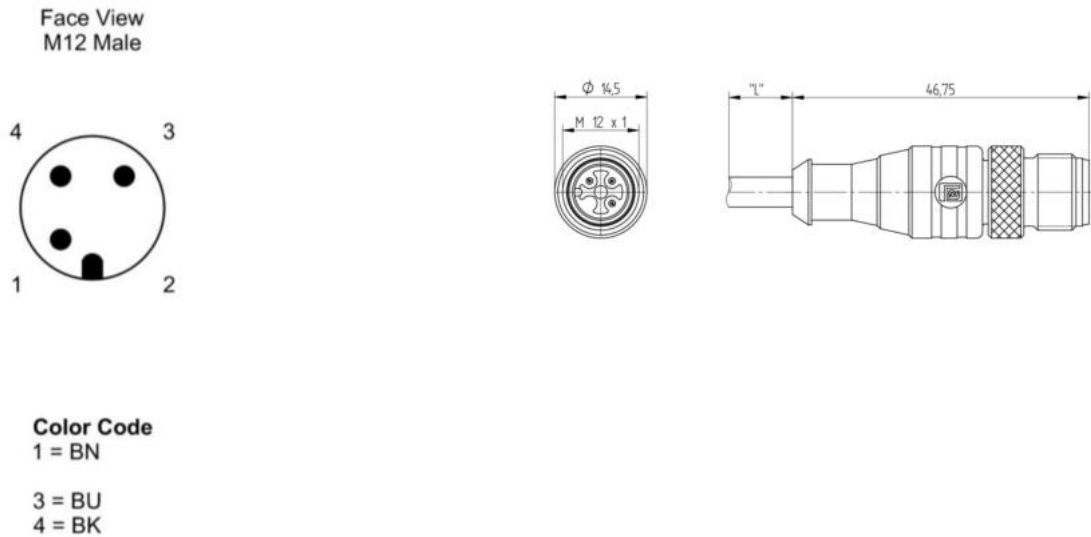
Product: [RST 3-659](#)

Sensor / Actuator Connector: M12 Standard, Cordset, Single ended, Straight Male, 3-pole; with Grey PVC 22 AWG cable

Product Description

Sensor / Actuator Connector: M12 Standard, Cordset, Single ended, Straight Male, 3-pole, 250 V | 4 A; with Grey PVC 3x22 AWG cable

Technical Drawing



Technical Specifications

Technical Data

Product Family:	Sensor / Actuator Connector
Product Sub Family:	M12 Standard
Brand:	Lumberg Automation
Connector Type:	Cordset, single ended
Type of Contact / Gender:	Male
Connector Design:	Straight
Number of Pins:	3
Coding:	A
Shielding:	Unshielded
Attachment Type:	Coupling Screw
Rated Voltage:	250 V
Rated Impulse Voltage:	2.5 kV
Operating Voltage:	230 V AC/DC
Rated Current*:	4 A
Contact Resistance:	≤ 10 mOhm

Insulation Resistance:	> 10 ⁹ Ohm
Mating Cycles:	≤ 100
Ambient Temperature (Operation)*:	- 40 °C - + 90 °C
Protection Degree / IP Rating**:	IP65, IP67
Design Standard:	IEC 61076-2-101
Pollution Degree:	3 acc. to DIN EN 60664-1 (VDE 0110-1)
Overvoltage Category:	II acc. to DIN EN 60664-1 (VDE 0110-1)

Materials

Contact Base Material:	CuSn
Contact Plating:	Cu/Au
Contact Bearer Material:	TPU
Contact Bearer Color:	Orange
Flammability Class (Contact Bearer):	UL 94 HB
Molded Body Material:	TPU
Molded Body Color:	Grey Translucent
Flammability Class (Molded Body):	UL 94 HB
Attachment Material:	CuZn, Nickel-plated, External thread

Additional Technical Data

Fastening Torque (Attachment):	M 12x1: (50-60) Ncm, hand-tight
--------------------------------	---------------------------------

Cable Data

Cable Number:	659
Conductor Size:	22 AWG
Number of Wires:	3
Minimal Bending Radius (Fixed Inst):	> 7 x D
Minimal Bending Radius (Flexible Inst):	> 10 x D
Cycles (Bending):	> 1 M
Conductor material:	Cu [Bare Copper]
Cable Jacket Material:	PVC
Cable Jacket Color:	Grey
Cable Diameter D:	Ø 4.82 mm
Wire Insulation Material:	PVC-SR
Insulated Wire Diameter:	Ø 1.25 mm
Ambient Temperature (Fixed Installation):	- 40 to 105°C
Ambient Temperature (Flex Installation):	- 15 to 105°C
Ambient Temperature (Drag Chain Inst):	- 15 to 105°C
UL Cable Type:	AWM 2661, C(RU) AWM I/II A/B
Flammability Class (Cable Jacket):	UL VW-1, FT1
Cable Characteristics:	Mechanical Resistances, Abrasion, Impact, Weathering; Chemical Resistances to Oils, Acids, Alkalis

Approvals

UL-File:	E315587
UL:	Yes
VDE:	Yes

Safety & Environmental Compliance

RoHS Compliant:	Yes
-----------------	-----

Notes

Note Derating:	Notice derating
Protection Degree / IP Rating Note:	Protection Degree and IP Rating per test standard IEC 60529 using a Lumberg Automation mating product

© 2025 Belden, Inc

All Rights Reserved.

Although Belden makes every reasonable effort to ensure their accuracy at the time of this publication, information and specifications described here in are subject to error or omission and to change without notice, and the listing of such information and specifications does not ensure product availability.

Belden provides the information and specifications herein on an "ASIS" basis, with no representations or warranties, whether express, statutory or implied. In no event will Belden be liable for any damages (including consequential, indirect, incidental, special, punitive, or exemplary damages) whatsoever, even if Belden has been advised of the possibility of such damages, whether in an action under contract, negligence or any other theory, arising out of or in connection with the use, or inability to use, the information or specifications described herein.

All sales of Belden products are subject to Belden's standard terms and conditions of sale.

Belden believes this product to be in compliance with all applicable environmental programs as listed in the data sheet. The information provided is correct to the best of Belden's knowledge, information and belief at the date of its publication. This information is designed only as a general guide for the safe handling, storage, and any other operation of the product itself or the one that it becomes a part of. The Product Disclosure is not to be considered a warranty or quality specification. Regulatory information is for guidance purposes only. Product users are responsible for determining the applicability of legislation and regulations based on their individual usage of the product.