

## IN300123

### Inductive sensors • Increased switching distance

sensor inductive, M30x1.5 70long, Non-flush, Sn: 20, 10-30V DC, PNP NO, Connector M12 3pin, IP67, Stainless steel 1.4305

including 2x Nut



Inductive proximity switches are contact-free sensors. They detect all conductive metals, regardless of whether they move or not. The achievable sensing range of the devices depends on the object material and its dimensions. The vibration-resistant sensors can be approached laterally or frontally. Inductive proximity switches are used for presence detection (e.g. goods carriers), positioning (e.g. dampers), counting (e.g. nuts /bolts), speed detection (e.g. for cog wheels), on conveyor systems (e.g. hose feedings) or distance measurements (e.g. press-in checking) of metallic objects.

#### Electrical features

Display	LED display
Type of switching function	Normally open contact (NO)
Type of electrical connection	Connector M12
Type of switching output	PNP
Rated switching current	200mA
Relative hysteresis	15%
Correction factor (aluminum)	0.3
Correction factor (copper)	0.2
Correction factor (brass)	0.4
Correction factor (St37)	1
Correction factor (stainl. steel)	0.7
Short-circuit protection	Yes
No-load current	15mA
Number of pins	3
Relative repeat accuracy	10%
Switching distance	20mm
Switching frequency	100Hz
Voltage drop	2V
Reverse polarity protection	Yes
Operating voltage (DC)	10 - 30V

**Mechanical features**

Alignment of cable entry	axial
Design	Cylinder, screw-thread
Thread length	30mm
Thread pitch	1.5mm
Cable infeed	axial
Length	70mm
Mechanical mounting condition for sensor	non-flush
Degree of protection (IP)	IP67
Active area material of sensor	Plastic (PA6.1)
Housing material	Stainless steel 1.4305
Thread dimension	M30
Ambient temperature	-25 - 70°C

**Other features**

Reference medium / object	Standard measuring plate FE360 30x30x1mm
Ambient temperature	-25 - 70°C

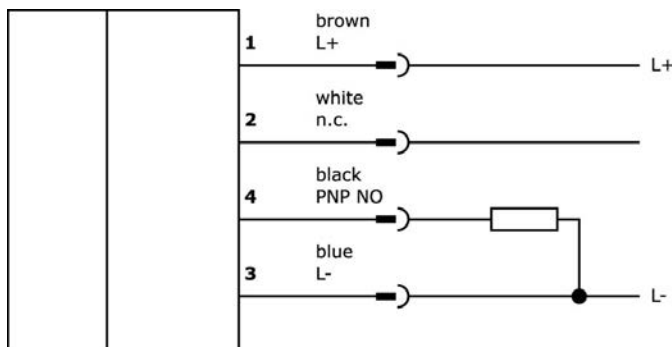
**Classification**

ETIM 8	EC002714 Inductive proximity switch
--------	-------------------------------------

**More**

IPF Product Group	203 inductive sensors (diverse)
packaging dimensions	105 x 43 x 43 mm
gross weight	140 g
Customs tariff number	85365019
WEEE number	40951076
OzDS-compliant	Yes
POP-compliant	Yes
Reach-compliant	Yes
RoHS-compliant	Yes

**Connection**



**Installation**

Mounting / installation may only be carried out by a qualified electrician!

**Disposal****Safety warnings**

Before initial operation, please make sure to follow all safety instructions that may be provided in the product information.

Never use these devices in applications where the safety of a person depends on their functionality.

For suitable connection and mounting accessories, please refer to our website [www.ipf-electronic.com](http://www.ipf-electronic.com).

**Dimensional drawing**