



Contact characteristics

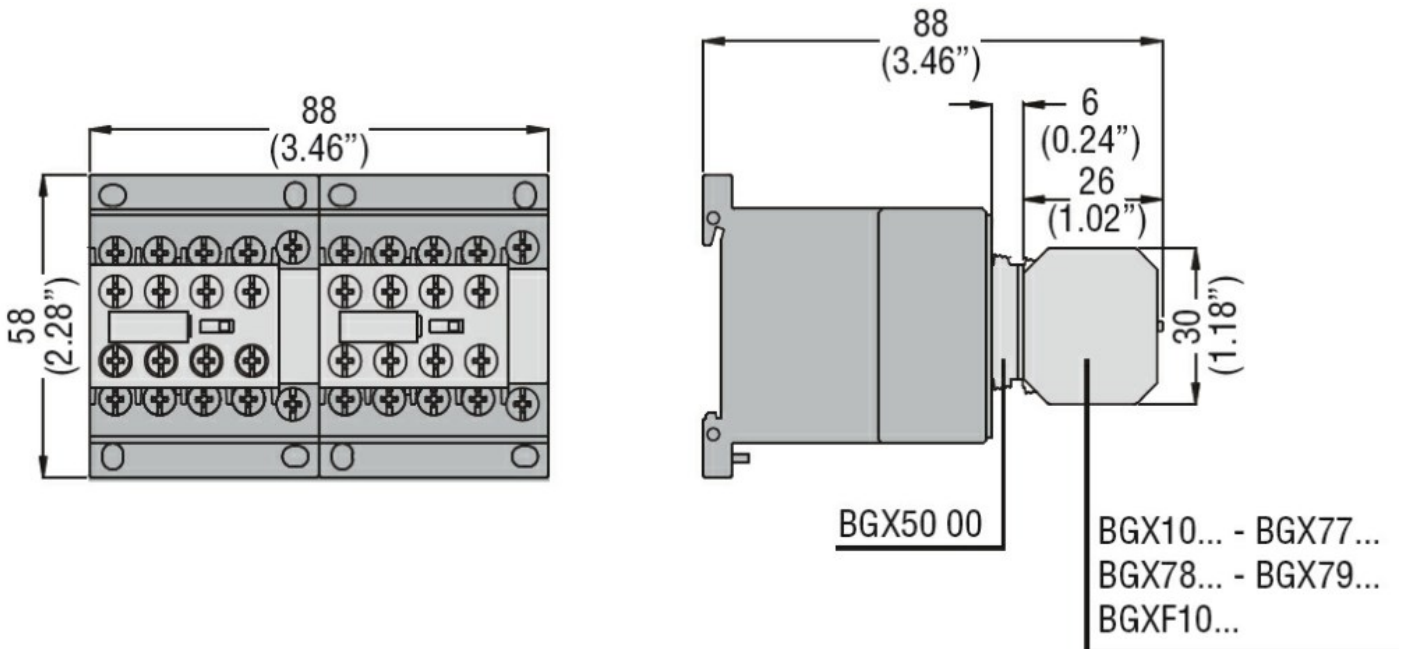
Tightening torque for terminals

| | | |
|-----|------|---|
| min | lbin | 9 |
| max | lbin | 9 |

Tightening torque for coil terminal

| | | |
|-----|------|---|
| min | lbin | 9 |
| max | lbin | 9 |

Dimensions



Certifications and compliance

Compliance

- CSA C22.2 n° 60947-1
- IEC/EN 60947-1
- UL 60947-1

Certificates

- cULus
- EAC

ETIM classification

ETIM 8.0

EC001044 -
Mechanic
interlock for
switch