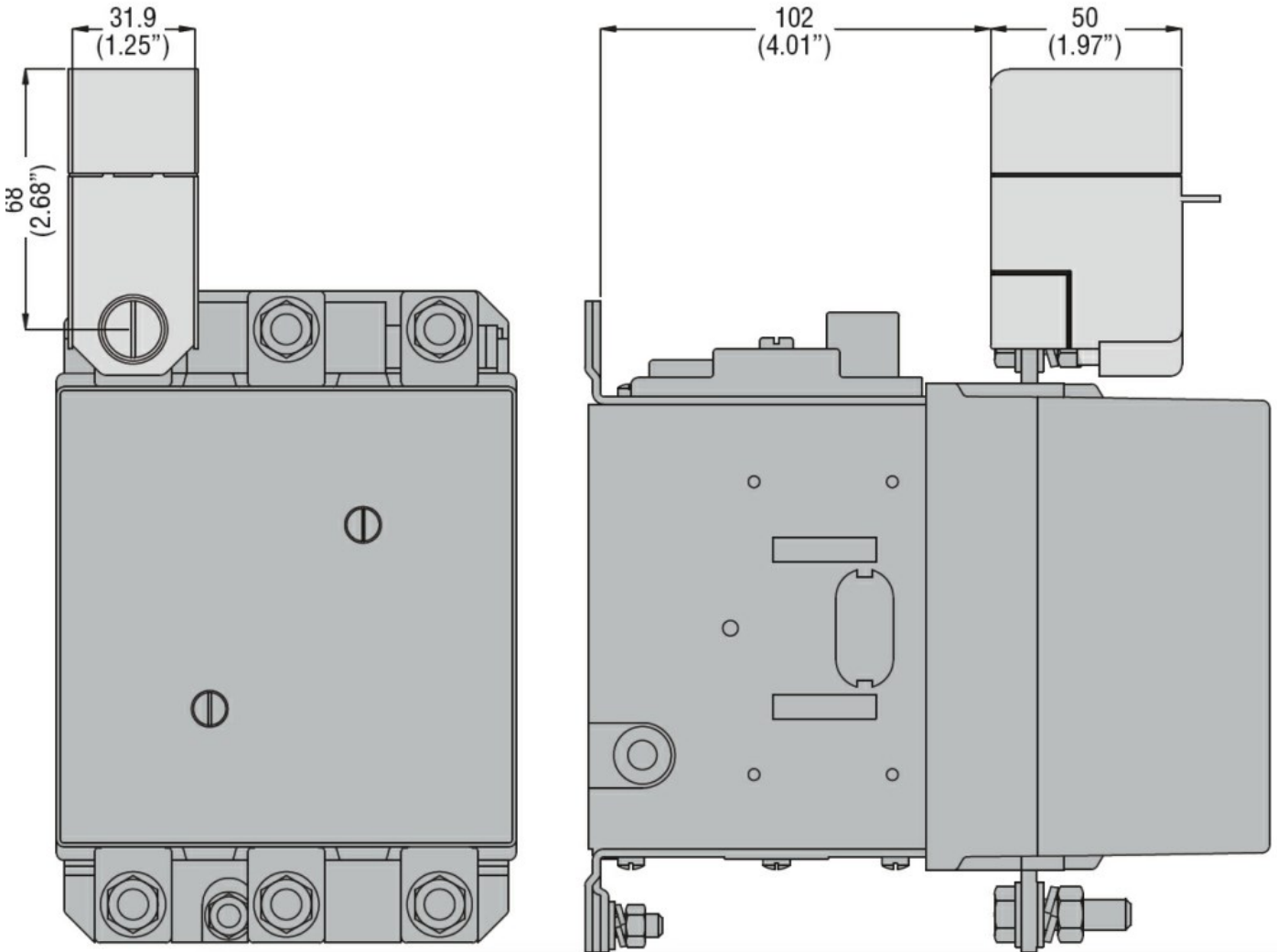




**Dimensions**



**Certifications and compliance**

Certificates

/

**ETIM classification**

ETIM 8.0

EC002498 -  
Accessories/spare  
parts for low-  
voltage switch  
technology