

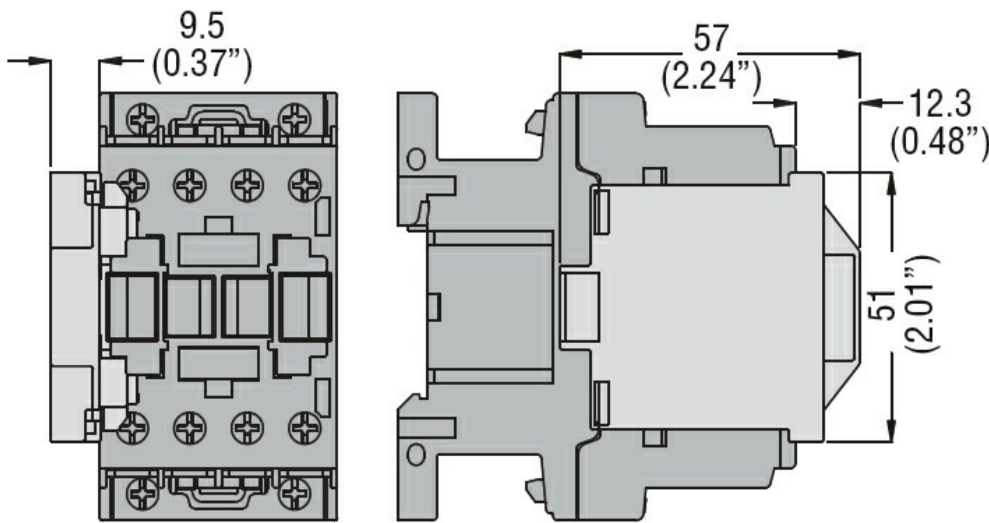


Mechanical features

Fixing

Side mounting

Dimensions



Wiring diagrams



Certifications and compliance

Compliance

CSA C22.2 n° 60947-1

CSA C22.2 n° 60947-5-1

IEC/EN 60947-1

IEC/EN 60947-5-1

UL 60947-1

UL 60947-5-1

Certificates

EAC

ETIM classification

ETIM 8.0

EC000041 -
Auxiliary contact
block