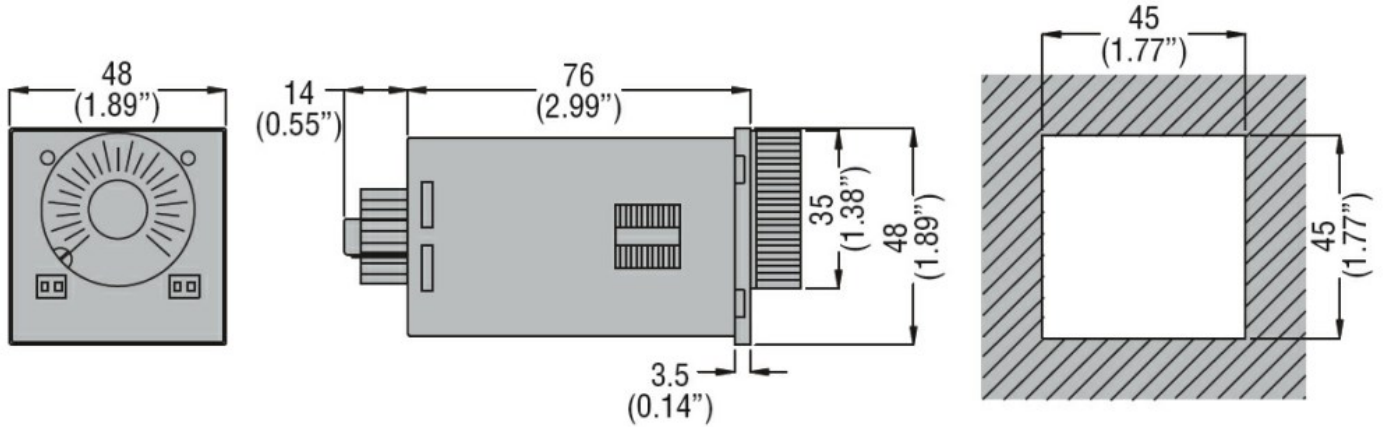




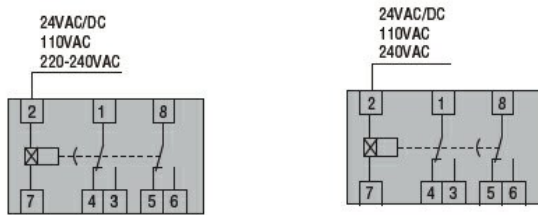
Product designation				Time relay
Product type designation				L48TPB
<b>General characteristics</b>				
Description				On delay time relay, multiscale and multivoltage, plug-in version
Function				On delay
<b>Supply circuit</b>				
Rated auxiliary supply voltage $U_s$				24VAC/DC
Rated frequency	Hz			50/60
Operating voltage range				0.85...1.1 $U_s$
Maximum power consumption / dissipation	W			6VA
Immunity time for microbreakings	ms			≤40
<b>Timing circuit</b>				
Time setting range				0.05s...10min
Setting accuracy	%			±5
Repeat accuracy	%			±0.5
Influence of voltage variation	%			±0.5
Resetting time			During timing	ms ≥100
			Elapsed time	ms ≥65
<b>Relay outputs</b>				
Number of relays			Nr.	2
Contact arrangement				2 delayed C/O or 1 instantaneous C/O + 1 delayed C/O
Maximum switching voltage	VAC			250
IEC Conventional free air thermal current $I_{th}$	A			5
UL/CSA and IEC/EN 60947-5-1 designation				B300
<b>Insulation (input-output)</b>				
Rated insulation voltage $U_i$	V			250
Power frequency withstand voltage	kV			2
<b>Operations</b>				
Mechanical life	cycles			30000000
Electrical life (with rated load)	cycles			100000
<b>Ambient conditions</b>				
Temperature	Operating temperature			
	min	°C	-10	
	max	°C	+60	
	Storage temperature			
	min	°C	-30	
	max	°C	+80	
<b>Housing</b>				

Material	Self-extinguishing polyamide
Mounting	Plug-in housing with 8-pin socket
Degree of protection	IP40 on front, IP20 terminals
Dimensions (W x H x D)	mm 48 x 48 x 90
Weight	g 124

**Dimensions**



**Wiring diagrams**



**Certifications and compliance**

**Compliance**

CSA C22.2 n°14  
IEC/EN 61812-1  
UL508

**Certificates**

cURus  
EAC

**ETIM classification**

ETIM 8.0

EC001439 -  
Timer relay