



Product designation	SLIM RELAY+SOCKET		
Product type designation	HRA10		
Contact characteristics			
Contact configuration	1 C/O		
Rated insulation voltage U_i IEC/EN	V	250	
Rated impulse withstand voltage U_{imp}	kV	4	
IEC Conventional free air thermal current I_{th}	A	6	
Maximum instantaneous current	A	20 (500ms)	
Rated current (I_n)	A	6	
Relay control voltage	V	24VAC/VDC	
Max contrrollable power in			
	AC-1	W	1500
	AC-15	VA	360
Rated operating power AC-1		VA	1500
Rated operating power AC-15	230 VAC	VA	360
Single-phase motor control	230VAC	kW	0.186
Rated operating current DC-1			
	30V	A	6
	110V	A	0.2
	220V	A	0.12
Minimum switching load		V / mA	5 / 100
Contact impedance		m Ω	100
Contact material		Ag/Ni	
Operating times			
Closing		ms	≤ 8
Opening		ms	≤ 4
Operations			
Mechanical life		cycles	10000000
Electrical life AC1		cycles	30000
Coil characteristics			
Relay control voltage + socket		V	24VAC/DC
Average coil consumption DC at 20°C		W	0.2
Operating range			
	Closing	% U_n	≥ 75
	Opening	% U_n	≥ 5
Maximum cycle frequency		cycles/h	10000
Mechanical features			
Max socket terminal tightening torque		Nm	0.5
Socket screw tightening tool (cross / flat blade)		PH0 / 3.5mm	
Conductor section	AWG/Kcmil		

	min	20	
	max	16	
IEC			
	min	mm ²	0.5
	max	mm ²	1.5
Operating position			
	normal	Any	
Fixing			
		On 35mm DIN rail	

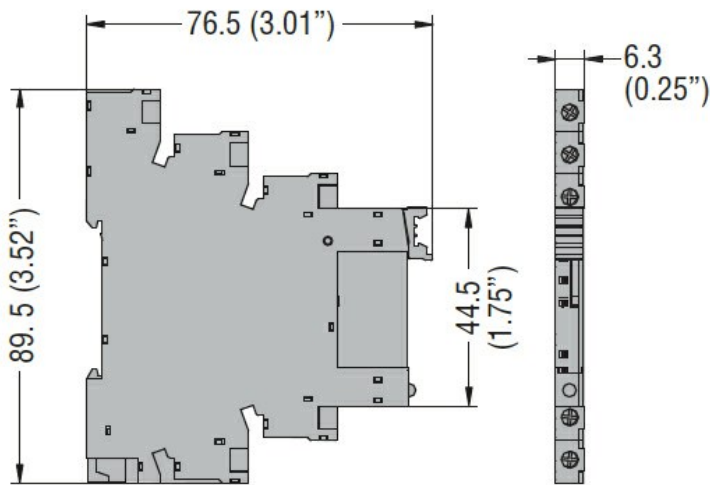
Ambient conditions

Temperature			
Operating temperature			
	min	°C	-40
	max	°C	+70
Storage temperature			
	min	°C	-40
	max	°C	+80

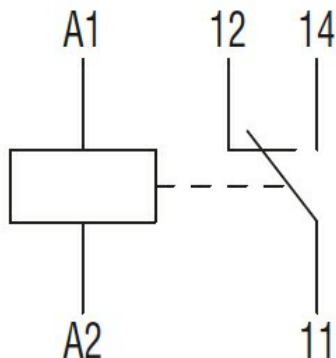
Other features

Indication	Yes (on the socket)
Mechanical contact position indicator	No
Mechanical test actuator	No

Dimensions



Wiring diagrams



Certifications and compliance

Compliance	IEC/EN 61810
------------	--------------

Certificates

cURus

EAC

VDE

ETIM classification

ETIM 8.0

EC001437 -
Switching relay