



Roller centre  
push lever  
KCC

Product designation

Product type designation

**General characteristics**

Material

Housing  
Roller

Polymer  
thermoplastic  
Plastic

**Contact characteristics**

Type of contact

1NO+1NC Slow  
action make  
before break

Thermal current I<sub>th</sub>

A

10

IEC/EN 60947-5-1 designation

A600 Q300

Rated insulation voltage U<sub>i</sub>

V

690

Rated impulse withstand voltage U<sub>imp</sub>

kV

6

Insulation class

II

Short-circuit protection with fuse

Class/A

10 gG/SC  
QUICK FUSE

Switching speed

min  
max

m/s  
m/s

0.5  
1.5

IEC Conventional free air thermal current I<sub>th</sub>

A

10

Resistance per pole (average value)

m?

<10

**Mechanical features**

Operating head fixing

Locking bayonet  
insert

Operating torque

N  
lb

6  
1.34

Tightening torque (Max)

Switch fixing

Nm  
lbin

2.5  
22.1

Contact terminals

Nm  
lbin

0.8  
7

Body lid screw fixing

Nm  
lbin

0.8  
7

Conductor section

AWG/Kcmil

min  
max

16  
14

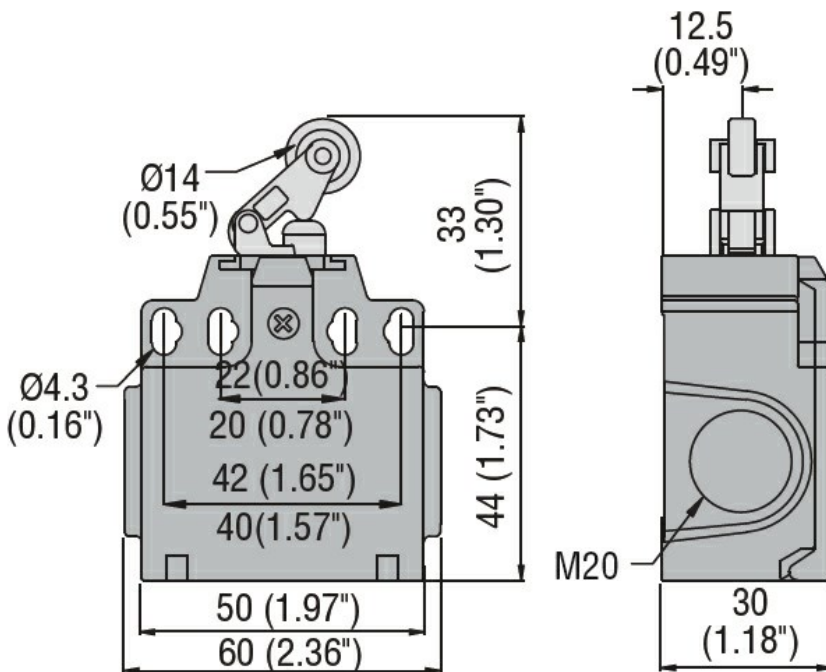
IEC

min mm<sup>2</sup>

1 or 2

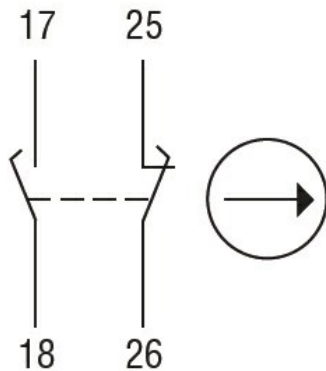
LIMIT SWITCH, K SERIES, ROLLER CENTRE PUSH LEVER, 2 SIDE CABLE ENTRY.  
DIMENSIONS COMPATIBLE TO EN 50047, PLASTIC BODY, CONTACTS 1NO+1NC SLOW  
ACTION MAKE BEFORE BREAK. PLASTIC ROLLER

	max	mm <sup>2</sup>	2.5
Cable connection			Self-releasing screw terminal
Cable entry			M20 on the sides
<b>Operations</b>			
Mechanical life	cycles		<10000000
Mechanical operation	cycles/h		3600
<b>Ambient conditions</b>			
Temperature			
Operating temperature			
	min	°C	-25
	max	°C	+70
Storage temperature			
	min	°C	-40
	max	°C	+70
<b>Resistance &amp; Protection</b>			
IP degree			
	Terminals		IP20
	Body housing		IP65
Pollution degree			3
<b>Dimensions</b>			



**Wiring diagrams**

## Slow action



**1NO + 1NC**  
**make before break**

### Certifications and compliance

#### Compliance

CSA C22.2 n° 14

EN 50047

IEC/EN 60204-1

IEC/EN 60947-1

IEC/EN 60947-5-1

UL508

#### Certificates

CCC

cULus

EAC

### ETIM classification

ETIM 8.0

EC000030 - End  
switch