

IQ40-40NDOKC0K

IQG

INDUCTIVE PROXIMITY SENSORS

SICK
Sensor Intelligence.



Ordering information

| Type | part no. |
|----------------|----------|
| IQ40-40NDOKCOK | 1088281 |

Other models and accessories → www.sick.com/IQG



Detailed technical data

Features

| | |
|--|----------------------------------|
| Housing | Rectangular |
| Housing | Short-body |
| Dimensions (W x H x D) | 40 mm x 40 mm x 66 mm |
| Sensing range S_n | 40 mm |
| Safe sensing range S_a | 32.4 mm |
| Installation type | Non-flush |
| Switching frequency | 150 Hz |
| Connection type | Male connector M12, 2-pin |
| Output function | NC |
| Electrical wiring | DC 2-wire |
| Enclosure rating | IP67, IP68, IP69K |
| Special applications | Difficult application conditions |
| Items supplied | Push-lock mounting system (1x) |

Mechanics/electronics

| | |
|---------------------------------------|--------------------------------------|
| Supply voltage | 10 V DC ... 30 V DC |
| Ripple | $\leq 10 V_{pp}^{1)}$ |
| Voltage drop | $\leq 4 V^{2)}$ $\leq 4.5 V^{3)}$ |
| Time delay before availability | < 200 ms |
| Hysteresis | 1 % ... 15 % ⁴⁾ |

¹⁾ Of U_B .

²⁾ At $I_a = 30 \text{ mA}$.

³⁾ At $I_a \text{ max.}$

⁴⁾ Of S_r .

⁵⁾ Supply voltage U_B and constant ambient temperature T_a .

⁶⁾ Reference voltage: 50 V DC.

| | |
|---|----------------------------------|
| Reproducibility | ≤ 2 % ⁵⁾ |
| Temperature drift (of S_r) | ± 20 % |
| Continuous current I_a | ≤ 100 mA |
| Off-state current | ≤ 0.8 mA |
| Minimum load current | ≥ 3 mA |
| Short-circuit protection | ✓ |
| Power-up pulse protection | ✓ |
| Shock and vibration resistance | 30 g, 11 ms / 10 ... 55 Hz, 1 mm |
| Ambient operating temperature | -25 °C ... +85 °C |
| Ambient temperature, storage | -40 °C ... +85 °C |
| Housing material | Plastic, PA 66 |
| Sensing face material | Plastic, PA 66 |
| Tightening torque, max. | 1.8 Nm |
| Protection class | II ⁶⁾ |
| UL File No. | E348498 |

1) Of U_b.

2) At I_a = 30 mA.

3) At I_a max.

4) Of S_r.

5) Supply voltage U_B and constant ambient temperature T_a.

6) Reference voltage: 50 V DC.

Safety-related parameters

| | |
|-------------------------------------|-------------|
| MTTF_D | 1,125 years |
| DC_{avg} | 0 % |
| T_M (mission time) | 20 years |

Reduction factors

| | |
|-----------------------------------|--|
| Note | The values are reference values which may vary |
| Stainless steel (V2A, 304) | Approx. 0.7 |
| Aluminum (Al) | Approx. 0.3 |
| Copper (Cu) | Approx. 0.3 |
| Brass (Br) | Approx. 0.4 |

Installation note

| | |
|---------------|---------------------------------------|
| Remark | Associated graphic see "Installation" |
| A | 42 mm |
| B | 150 mm |
| C | 40 mm |
| D | 120 mm |
| E | 40 mm |
| F | 150 mm |

Certificates

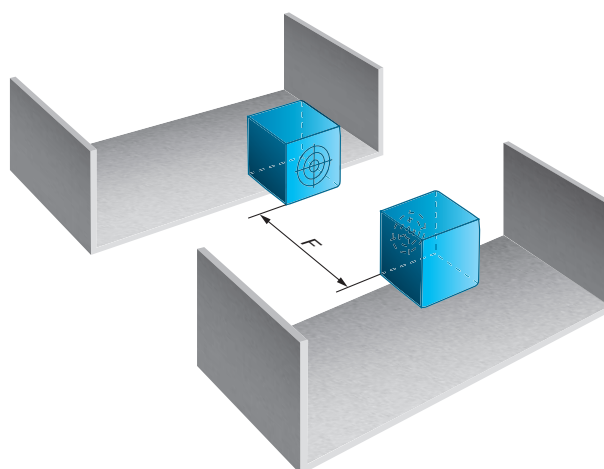
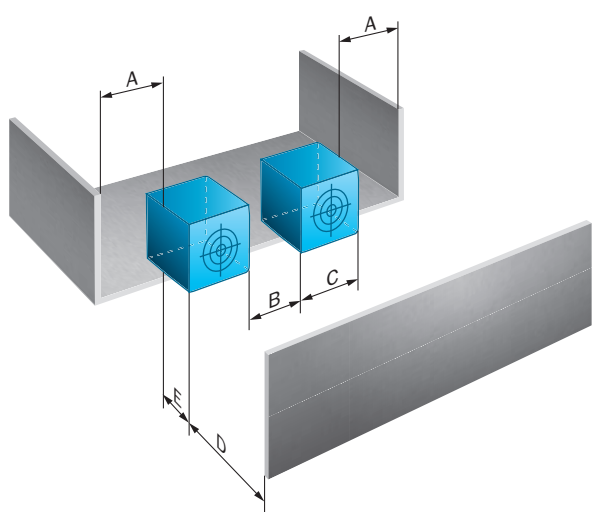
| | |
|-------------------------------------|---|
| EU declaration of conformity | ✓ |
|-------------------------------------|---|

| | |
|---|---|
| UK declaration of conformity | ✓ |
| ACMA declaration of conformity | ✓ |
| Moroccan declaration of conformity | ✓ |
| China-RoHS | ✓ |
| cULus certificate | ✓ |

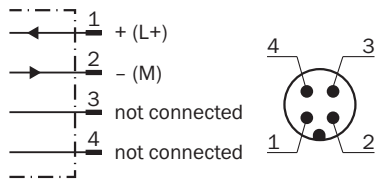
Classifications

| | |
|-----------------------|----------|
| ECLASS 5.0 | 27270101 |
| ECLASS 5.1.4 | 27270101 |
| ECLASS 6.0 | 27270101 |
| ECLASS 6.2 | 27270101 |
| ECLASS 7.0 | 27270101 |
| ECLASS 8.0 | 27270101 |
| ECLASS 8.1 | 27270101 |
| ECLASS 9.0 | 27270101 |
| ECLASS 10.0 | 27270101 |
| ECLASS 11.0 | 27270101 |
| ECLASS 12.0 | 27274001 |
| ETIM 5.0 | EC002714 |
| ETIM 6.0 | EC002714 |
| ETIM 7.0 | EC002714 |
| ETIM 8.0 | EC002714 |
| UNSPSC 16.0901 | 39122230 |

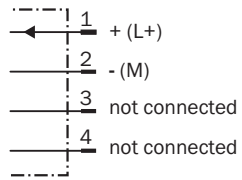
Installation note



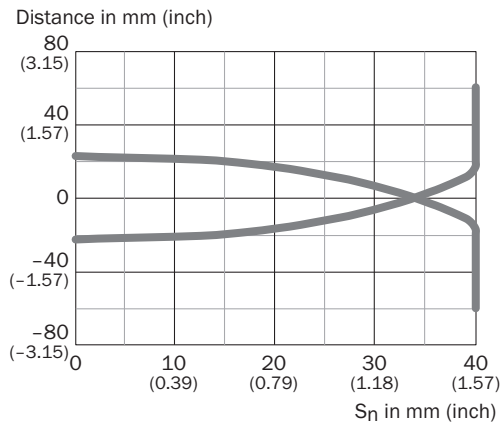
Connection diagram Cd-442



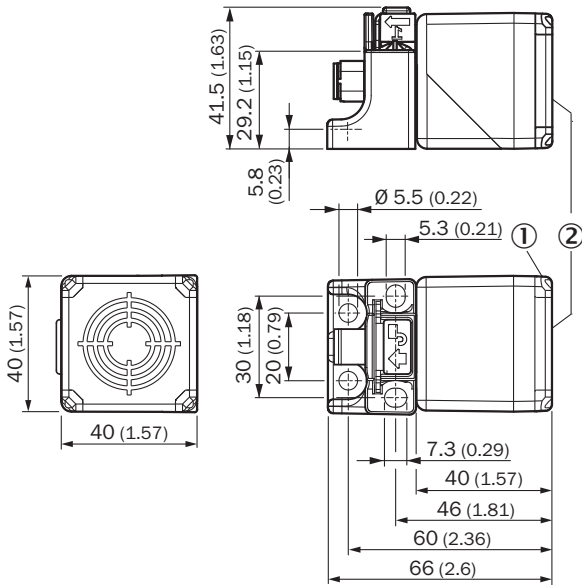
Connection diagram Cd-438



Response diagram







Dimensional drawing IQ40-xxxDxxCxK



Dimensions in mm (inch)
① LED output state, yellow
② Sensing face

Recommended accessories

Other models and accessories → www.sick.com/IQG

| | Brief description | Type | part no. |
|---|---|--------------------|----------|
| connectors and cables | | | |
|  | <ul style="list-style-type: none"> Connection type head A: Female connector, M12, 4-pin, straight, A-coded Description: Unshielded Connection systems: Screw-type terminals Permitted cross-section: ≤ 0.75 mm² | DOS-1204-G | 6007302 |
|  | <ul style="list-style-type: none"> Connection type head A: Male connector, M12, 4-pin, straight, A-coded Description: Unshielded Connection systems: Screw-type terminals Permitted cross-section: ≤ 0.75 mm² | STE-1204-G | 6009932 |
|  | <ul style="list-style-type: none"> Connection type head A: Female connector, M12, 4-pin, straight, A-coded Connection type head B: Flying leads Signal type: Sensor/actuator cable Cable: 5 m, 4-wire, PVC Description: Sensor/actuator cable, unshielded Application: Zones with chemicals, Uncontaminated zones | YF2A14-050VB3XLEAX | 2096235 |
|  | <ul style="list-style-type: none"> Connection type head A: Female connector, M12, 4-pin, angled, A-coded Connection type head B: Flying leads Signal type: Sensor/actuator cable Cable: 5 m, 4-wire, PVC Description: Sensor/actuator cable, unshielded Application: Zones with chemicals, Uncontaminated zones | YG2A14-050VB3XLEAX | 2095897 |

SICK AT A GLANCE

SICK is one of the leading manufacturers of intelligent sensors and sensor solutions for industrial applications. A unique range of products and services creates the perfect basis for controlling processes securely and efficiently, protecting individuals from accidents and preventing damage to the environment.

We have extensive experience in a wide range of industries and understand their processes and requirements. With intelligent sensors, we can deliver exactly what our customers need. In application centers in Europe, Asia and North America, system solutions are tested and optimized in accordance with customer specifications. All this makes us a reliable supplier and development partner.

Comprehensive services complete our offering: SICK LifeTime Services provide support throughout the machine life cycle and ensure safety and productivity.

For us, that is “Sensor Intelligence.”

WORLDWIDE PRESENCE:

Contacts and other locations –www.sick.com